

## TEMPRESS pressure gauge with diaphragm seal

Section: 1

Sheet No.: 600GB

Date: December 1998

### TEMPRESS pressure gauge with diaphragm seal

- Pressure gauge specifically designed for diaphragm seal
- Liquid filled / vibration proof
- Pulsation damped
- Bottom or rear connection
- Temperature compensated
- Safety blow-out
- Accuracy EN 837-1 Class 1.0 ( $\pm 1\%FS$ )

#### Option:

- Remote reading with capillary tube
- Built-in contact
- Built-in 4-20 mA transmitter
- Overrange protection
- Certificates
- Dry version

The fact that **TEMPRESS** is the manufacturer of both the diaphragm seal and the pressure gauge, ensures that the two parts work together in the best possible way.

The pressure gauge is designed to withstand an overpressure of 30% without influencing the calibration.

**For specifications and selection of diaphragm seal please refer to specific data sheet.**

#### TEMPRESS offers:

- Gauge manufactured to the ISO 9001 certification
- Reliable, accurate and high quality products
- Competent and professional advice



The picture shows a pressure gauge with DN 38 DS/ISO 2852 diaphragm seal (1/2" Tri-Clamp®)

Specifications	
Pressure gauge with diaphragm seal	A30..., A32...
Pressure gauge with diaphragm seal, direct mounting	A31..., A33...
Pressure gauge with diaphragm seal and signal output	A36..., A37...
Case diameter: <i>option</i>	DN 100 DN 80 or DN 160
Case material: <i>option</i>	AISI 316, glass blasted Electro-polished (DN100) Black enamelled steel
Glass face: <i>option</i>	Acrylic Toughened glass
Connection: <i>option</i>	Bottom or rear 9, 12 or 3 o'clock
Liquid filling: <i>option</i>	Glycerine Silicone oil or dry
Ambient temperature : <i>option</i>	0/+60 °C (glycerine filled) -40/+50 °C (silicone oil filled) -10/+70 °C (dry version) -10/+120 °C (dry version)
Compensated temp. range	0-60 °C
Accuracy:	Cl. 1,0 ( $\pm 1\%FS$ )
Other specifications:	Consult TEMPRESS

TEMPRESS reserves the right to change without notice

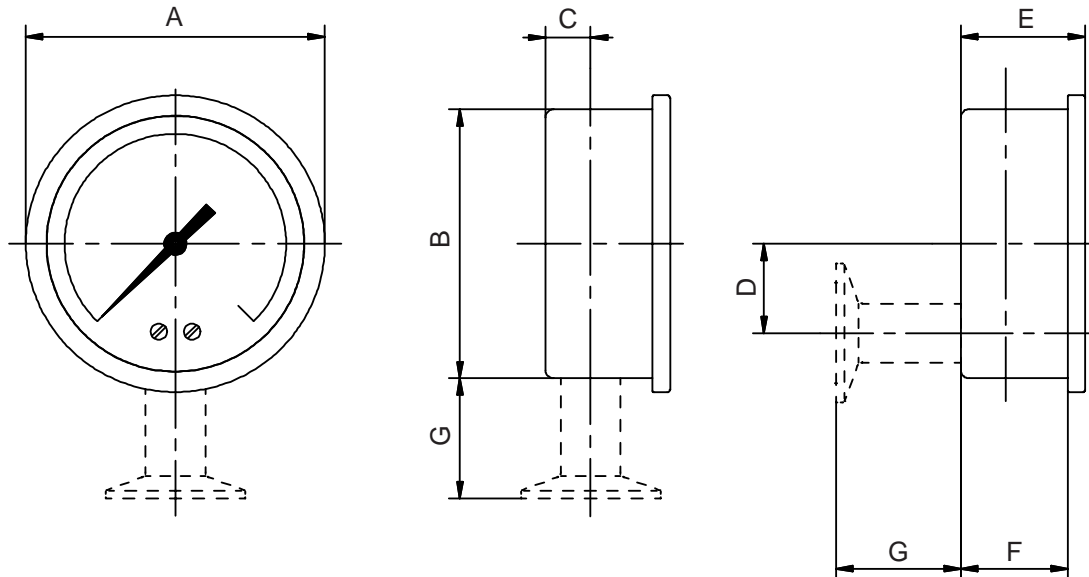
Agent:



### TEMPRESS A/S

P.O. Box 2090  
Nordlandsvej 64-66  
DK-8240 Risskov, Denmark  
Tel.: +45 8932 5200  
Fax.: +45 8932 5213

## Dimensions:



### Dimension

	DN 80	DN 100	DN 160
A	Ø87 (dia. 3.43")	Ø108 (dia. 4.25")	Ø167 (dia. 6.57")
B	Ø78 (dia. 3.07")	Ø 99 (dia. 3.90")	Ø158 (dia. 6.22")
C	17 (0.70")	16 (0.63")	17 (0.67")
D	26 (1.03")	33 (1.30")	33 (1.30")
E	43 (1.70")	45 (1.77")	49 (1.93")
F	36 (1.42")	38 (1.50")	42 (1.65")
G	Please refer to specific data sheet for diaphragm seal		

### Measuring range

bar, kp/cm <sup>2</sup> , kg/cm <sup>2</sup>	kPa	MPa	psi	lb/in <sup>2</sup>
-1 - 0	-100 - 0	-0,1 - 0 - 0,3	-30"Hg - 0	-30"Hg - 0
-1 - 0 - 0,6	-100 - 0 - 60	0 - 0,4	-30"Hg - 0 - 15	-30"Hg - 0 - 15
-1 - 0 - 1	-100 - 0 - 150	0 - 0,6	-30"Hg - 0 - 30	-30"Hg - 0 - 30
-1 - 0 - 1,5	-100 - 0 - 300	0 - 1	-30"Hg - 0 - 60	-30"Hg - 0 - 60
-1 - 0 - 3	-100 - 0 - 500	0 - 1,6	-30"Hg - 0 - 100	-30"Hg - 0 - 100
-1 - 0 - 5	-100 - 0 - 900	0 - 2,5	-30"Hg - 0 - 150	-30"Hg - 0 - 160
-1 - 0 - 9	-100 - 0 - 1500	0 - 4	0 - 15	0 - 15
-1 - 0 - 10	0 - 100	0 - 6	0 - 30	0 - 30
-1 - 0 - 12	0 - 160	0 - 10	0 - 60	0 - 60
-1 - 0 - 15	0 - 250	0 - 16	0 - 100	0 - 100
-1 - 0 - 25	0 - 400	0 - 25	0 - 150	0 - 150
0 - 1	0 - 600	0 - 40	0 - 160	0 - 160
0 - 1,6	0 - 800	0 - 60	0 - 200	0 - 200
0 - 2,5	0 - 1.000	0 - 100	0 - 250	0 - 250
0 - 4	0 - 1.600	0 - 160	0 - 300	0 - 300
0 - 6	0 - 2.000		0 - 400	0 - 400
0 - 7	0 - 2.500		0 - 600	0 - 600
0 - 10	0 - 4.000		0 - 1.000	0 - 1.000
0 - 14	0 - 6.000		0 - 1.500	0 - 1.600
0 - 16	0 - 10.000		0 - 2.000	0 - 2.000
0 - 20	0 - 16.000		0 - 3.000	0 - 3.000
0 - 25	0 - 25.000		0 - 4.000	0 - 4.000
0 - 40	0 - 40.000		0 - 6.000	0 - 6.000
0 - 60	0 - 60.000		0 - 10.000	0 - 10.000
0 - 100	0 - 100.000		0 - 15.000	0 - 16.000
0 - 160	0 - 160.000		0 - 20.000	0 - 20.000
0 - 250				
0 - 400				
0 - 600				
0 - 1.000				
0 - 1.600				

The table cannot be used as a conversion table

Other ranges on request

Please note: Minimum span and maximum pressure of the chosen diaphragm seal should be observed