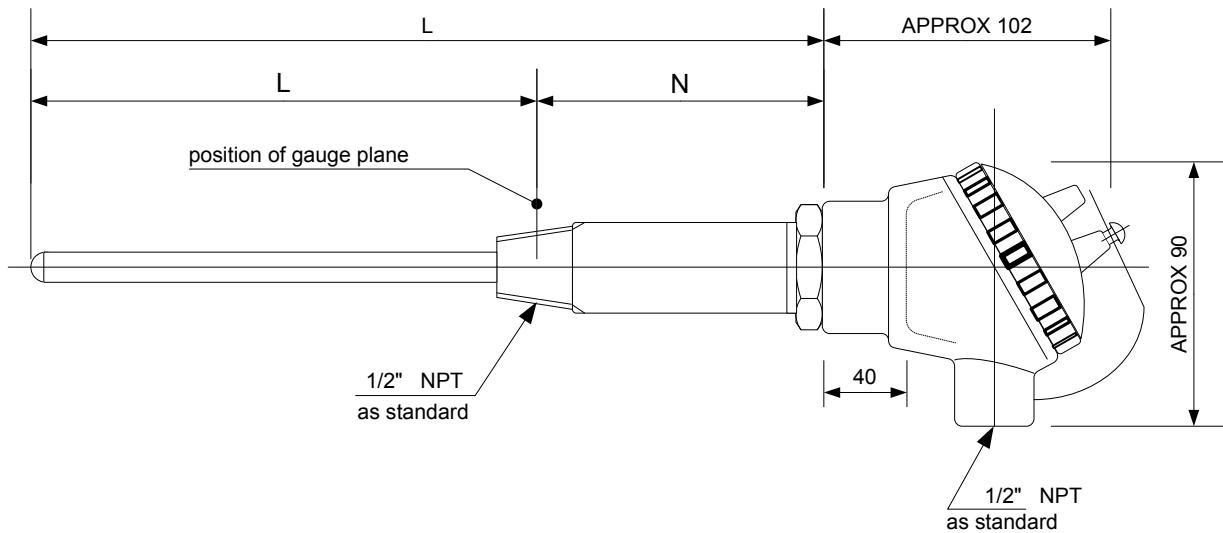


# Resistance Thermometer Assemblies

IR96N



## PT100 Thermometer Assemblies

IR96N - [ ] - [ ] - [ ] - [ ] - [ ] - [ ] / [ ]

Model	
-0	1/2" Nipple N=50mm
-1	1/2" Nipple N=100mm
-2	1/2" Nipple N=150mm
Length L mm	
Sheath dia	
60	6.0mm
Number of conductor	
2	Simplex
3	Simplex
4	Simplex
6	Duplex
Nominal resistance	
100	Pt 100 ohm at 0°C
Tolerance class	
A	Special
B	Standard
Option	
Thread size	
immersion length L mm	

Resistance thermometer assembly with plain nipple connection incorporating spring loaded resistance thermometer inset (IR92 page 18) usually used with drilled thermowell or fabricated pocket